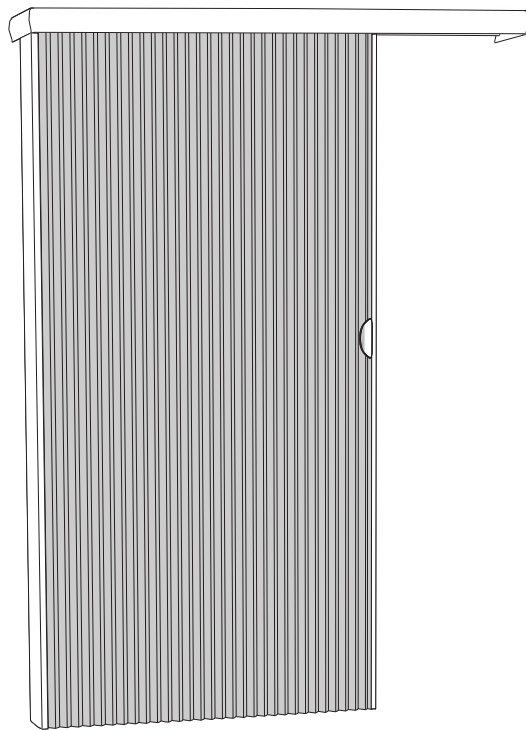


# Installation and Care Instructions

---

Duette® and Applause®  
Honeycomb Shades

---



Vertiglide™ Shades

**HunterDouglas**

## CONTENTS

Contents .....	2
Introduction.....	2
Getting Started.....	3
Vertical Parts Overview .....	4
Materials Required .....	5
Tools Required .....	6
Outside Mount — Bracket Installation .....	8
Outside Mount — Rail Installation.....	10
Outside Mount — Stationary Rail Bottom Bracket Attachment .....	18
Inside Mount — Bracket Installation .....	20
Inside Mount — Headrail Preparation .....	21
Inside Mount — Headrail Installation.....	24
Inside Mount — Vertical Rail Installation .....	25
Inside Mount — Stationary Rail Bottom Bracket Attachment.....	29
Floor Assembly — Bracket Installation.....	31
Floor Assembly — Vertical Rails Installation .....	33
Floor Assembly — Headrail Installation .....	36
Floor Assembly — Stationary Rail Bottom Bracket Attachment.....	37
Shade Adjustment .....	40
Valance And Handle(s) Attachment .....	42
Care And Cleaning.....	45
Troubleshooting .....	46

## INTRODUCTION

THANK YOU for purchasing a Hunter Douglas Vertiglide™ shade. Your new shade has been custom built for you from the highest quality materials. Once in your window, it will provide you with a lifetime of beauty and trouble-free use. Please review the instructions to acquaint yourself with all of the procedures.

If you need any assistance with operation or adjustment, call the Hunter Douglas Customer Information Center at:

**1-888-501-8364**

## GETTING STARTED

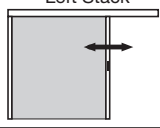
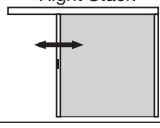
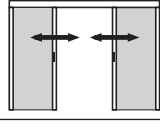
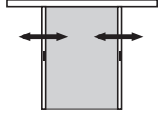
- Remove the shade from the package. Keep the packaging until the shade operates to your satisfaction.
- Locate the packaging label attached to the side or end of the shipping carton which contains your shade information.

### Determine Your Shade Type

Installation for Vertiglide™ shades varies based on the design of your shade, the valance type, and the manner in which you are mounting your shade.

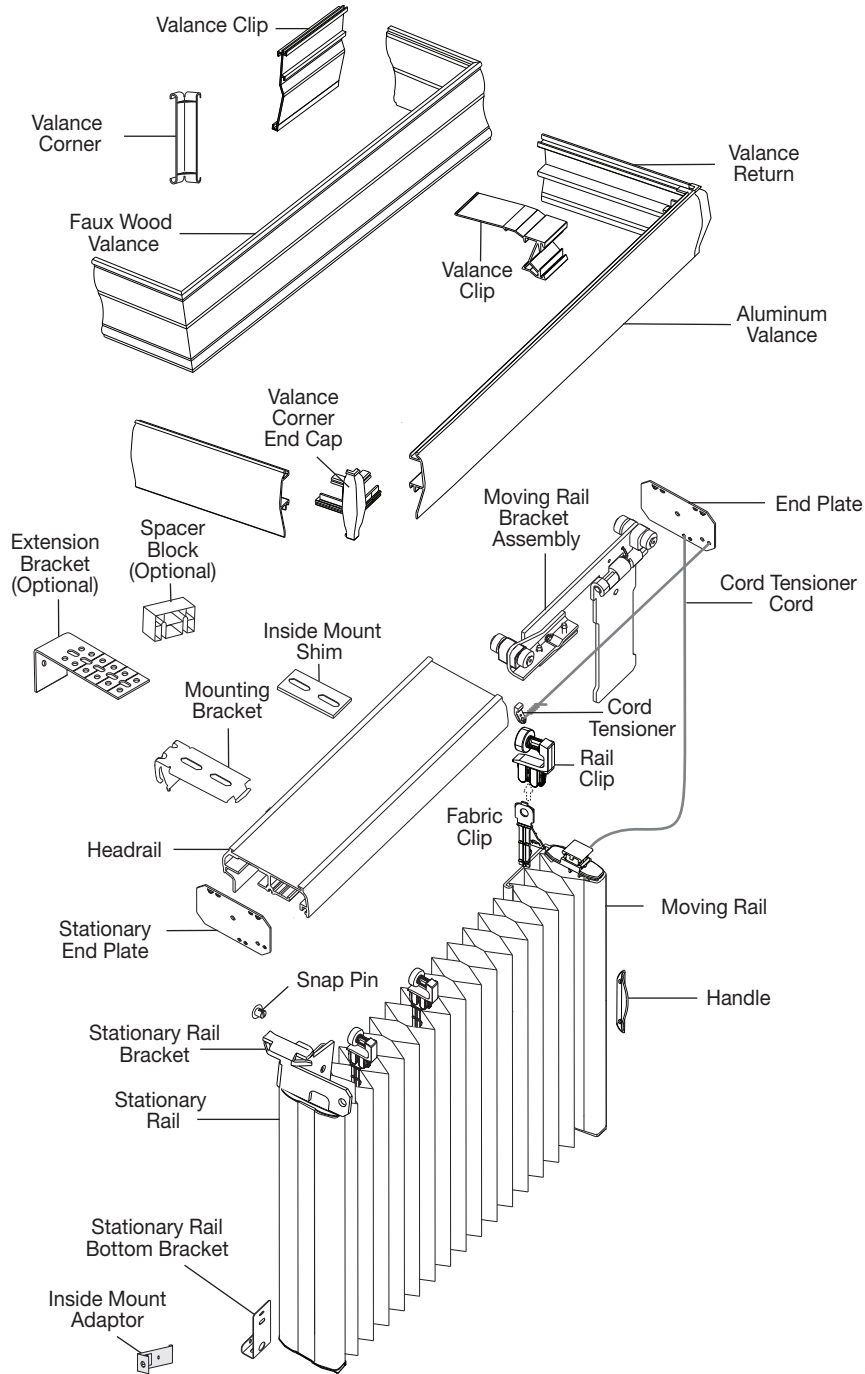
#### Refer to the packaging label to determine each of the following:

- Determine which Vertiglide design you are installing: left stack, right stack, center stack, split stack (center opening), or Vertiglide Duolite™.
- Determine if your shade is an inside mount (IB-mounting inside the window casement), outside mount (OB-mounting outside the window casement), or ceiling mount (mounting directly into the ceiling).
- Determine the type of valance you are installing with your shade: Sydney (aluminum) or Stratford (alternative wood).

Vertiglide Design	# Stationary Rails	# Moving Rails
<div style="text-align: center;">Left Stack</div> 	1	1
<div style="text-align: center;">Right Stack</div> 	1	1
<div style="text-align: center;">Split Stack and Duolite™</div> 	2	2
<div style="text-align: center;">Center Stack</div> 	0	2

## PARTS OVERVIEW


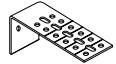

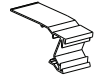
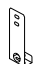
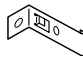



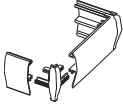
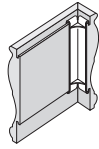
### Left Stack Shown



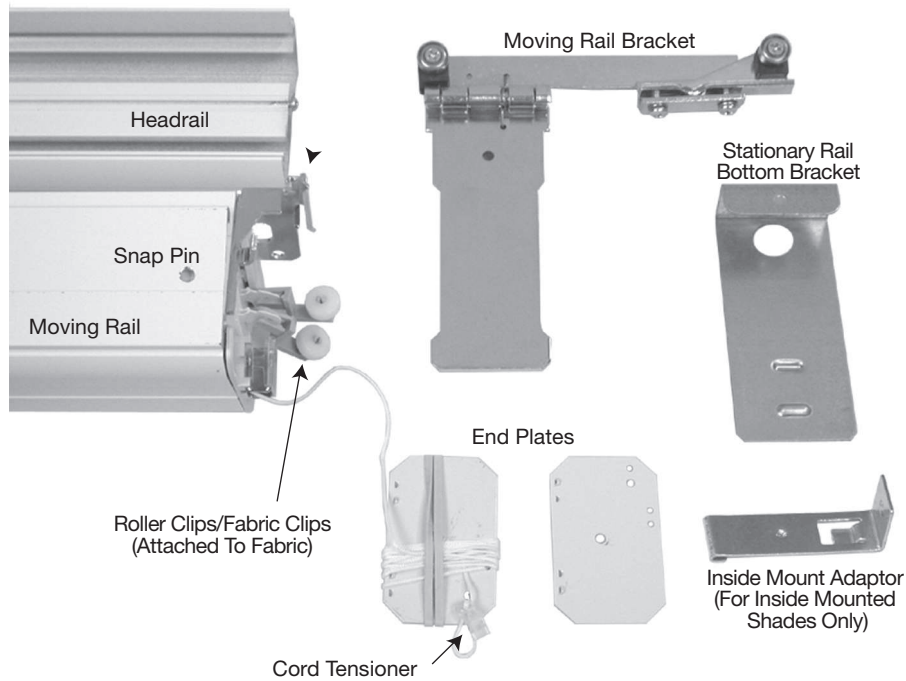
## MATERIALS REQUIRED

### Materials Supplied With The Order

Check to make sure you have all the materials listed for the number of shades you are installing and for the type(s) of installation. The contents of your hardware package may vary depending on how the shade was ordered and whether the shade is mounted inside or outside the window or door opening or mounted to the ceiling.

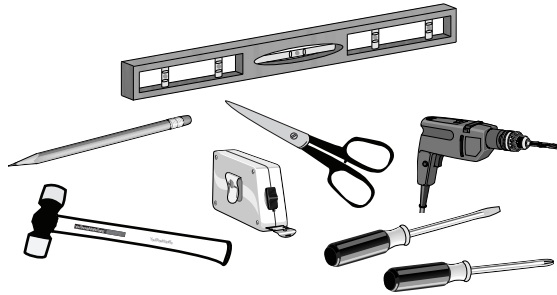
Component	Number Required Per Shade (Based On Shade Width)				
	18" to 31"	31 1/8" to 66"	66 1/8" to 96"	96 1/8" to 139"	139 1/8" to 168"
 Installation Brackets    Shim	2	3	4	5	6
 Optional Extension Bracket	1 Per Installation Bracket				
 Optional Spacer Block	1-3 Per Installation Bracket				
 Valance Clip	1 Per Installation Bracket				
 Stationary Bottom Rail Bracket	1 Per Stationary Rail (Not Applicable To Center Stack)				
 Inside Mount Adaptor	1 Per Stationary Rail (Inside Mounts Only)				
 Handle and Screws	1 Per Moving Rail				
 Cord Tensioner	1 Per Shade				
 Snap Pin	2 Per Shade (May Be Loose Or Inserted Into The Vertical Rails)				
 1- Aluminum Valance For Outside Mount And Inside Non-Flush Mount Use: 2-Valance Returns And 2-Valance Corner End Caps	Or	 1- Alternative Wood Valance 1 Valance Bracket Per Installation Bracket For Outside Mount And Inside Non-Flush Mount Use: 2-Valance Returns 2-Corner Brackets			

## Your Vertiglide™ Shade As Shipped (Right Stack Shown)






### TOOLS REQUIRED

- Flat blade and Phillips screwdrivers
- Level
- Measuring tape
- Plastic or rubber mallet
- Pencil
- Power drill, 1/4" hex driver, and drill bits
- Scissors



You will also need fasteners designed to work with your specific mounting surface. Hex head screws (1 1/4") are supplied.

Mounting Surface	Fastener
Wood	No. 6 Hex Head Screws (Provided) 
Drywall, Plaster	Wall Anchors, Expansion Bolts (Not Provided) 
Metal	Sheet Metal Screws (Not Provided) 

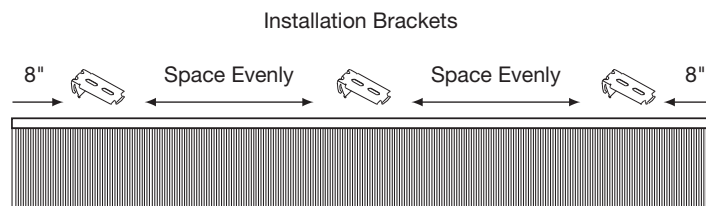
# OUTSIDE MOUNT INSTALLATION

**For an alternative method of installation  
(assembly on the floor prior to installation),  
see page 31.**

## OUTSIDE MOUNT – BRACKET INSTALLATION

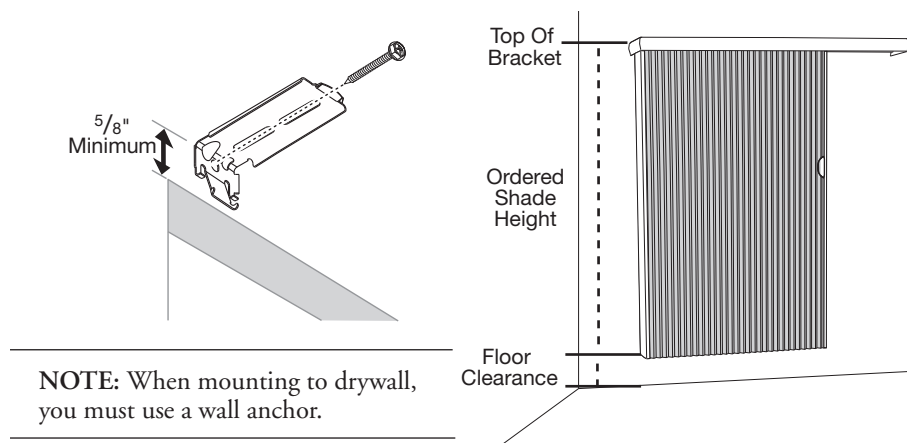
### Bracket Spacing

- Measure 8" in from where the ends of the headrail will be located and mark the installation bracket locations on the mounting surface.
- Space additional brackets evenly between the two end brackets.



### Bracket Placement

Place the top of the mounting bracket a minimum of  $\frac{5}{8}$ " from the top of the window opening, or take the ordered shade height and add to it the desired floor clearance. The shade height can be found on the packaging label. If no label exists, contact your dealer.

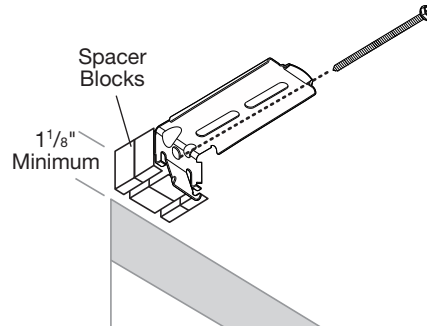


**NOTE:** When mounting to drywall, you must use a wall anchor.

- Center each installation bracket over the previously made mark on the mounting surface.
- Attach the installation brackets using the screws provided.
- Check that all installation brackets are level and their front edges are aligned.

### Outside Mount With Spacer Blocks

- Each spacer block projects installation brackets  $\frac{1}{2}$ " away from the mounting surface. Spacer blocks can be useful for above-trim installations.
- Place the top of the spacer block a minimum of  $1\frac{1}{8}$ " from the top of the window opening.
- Position each spacer block with the solid side facing the mounting surface.
- Mounting screws should be long enough to secure the bracket to the mounting surface.
- Use a maximum of three spacer blocks per bracket.



---

**NOTES:** When mounting to drywall, you must use a wall anchor. The supplied screws are not long enough for use with spacer blocks. Please make sure the screws used are long enough to mount the rail securely.

To locate where to place the top of the bracket, see *Bracket Placement* on the previous page.

---

### Outside Mount With Extension Brackets

Extension brackets project installation brackets up to  $2\frac{1}{2}$ " away from the mounting surface, allowing additional clearance for obstructions such as window cranks, handles, and moldings.

- Use two screws to mount extension brackets.

---

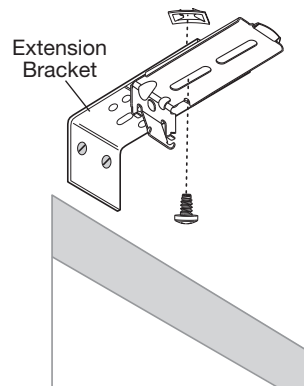
**NOTES:**

1) When mounting to drywall, you must use a wall anchor.

2) To locate where to place the top of the bracket, review the information under *Outside Mount - Bracket Installation* on page 8.

---

- Level and align brackets with a level.
- Attach installation brackets to the underside of extension brackets using the machine screws and speed nuts provided.

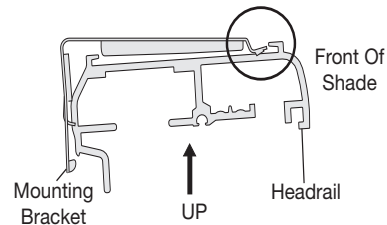


## OUTSIDE MOUNT — RAIL INSTALLATION

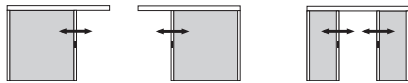
### Install The Headrail

**NOTE:** Once the headrail has been installed, it can not be adjusted by sliding, it in the mounting brackets.

- Measure and mark the center point on the mounting surface.
- Measure and mark the headrail's center point.
- Align the headrail by matching the marks.
  - Slip the headrail into the installation brackets so the front of the bracket slides under the front groove on the top of the rail.
  - Gently roll the back of the headrail up and push back to snap into place.



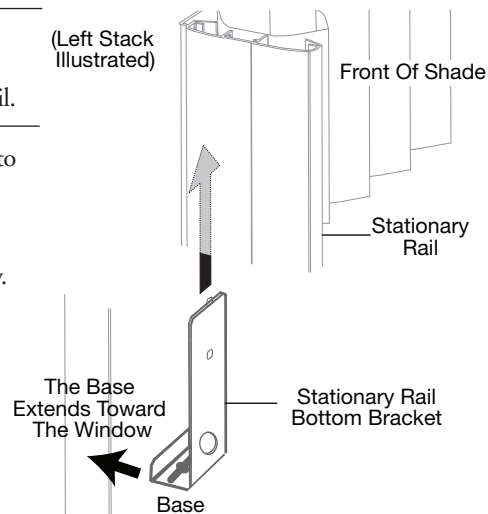
### Install The Stationary Rail Bottom Bracket



### Side Stack (Left And Right) And Split Stack

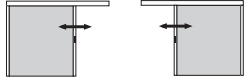
**NOTE:** Do not insert the bracket completely. Leave at least 1/4" of the bracket showing below the stationary rail.

Insert the stationary rail bottom bracket into the bottom of the stationary rail. (For split stack, insert a bottom bracket into each stationary rail.) The base of the bottom bracket should extend toward the window.

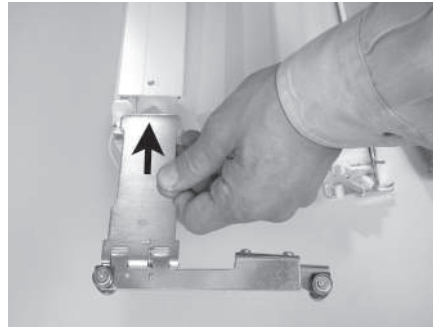


## Assemble The Moving Rail(s)

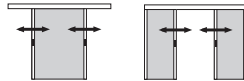
### Side Stack (Left And Right)



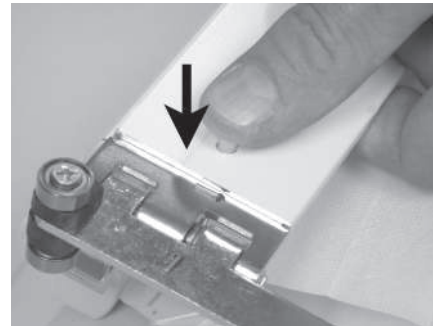
- Insert the moving rail bracket into the moving rail.
  - If attached, remove the snap pin located in the moving rail.
  - Slide the moving rail bracket into the moving rail.
  - Replace the snap pin through both the moving rail and the moving rail bracket.



### Center And Split Stack



- Insert both moving rail brackets into the moving rails.
  - Remove both snap pins located in each moving rail.
  - Slide the moving rail brackets into the moving rails.
  - Replace the snap pins through both moving rails and the moving rail brackets.

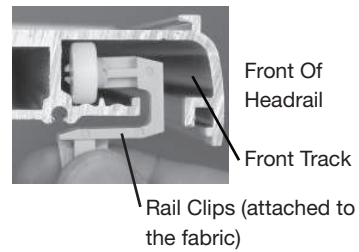
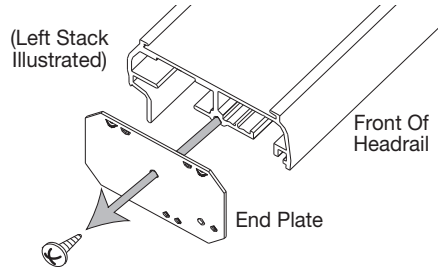


## Install The Vertical Rails

### Side Stack (Left And Right)

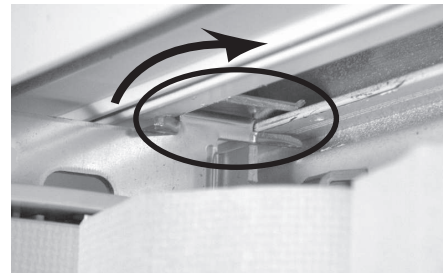
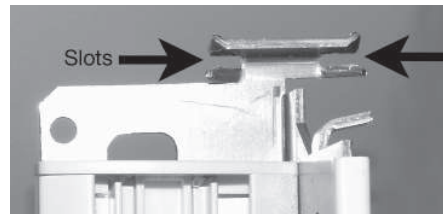


- Remove the end plate from the stationary side of the headrail, if attached (for a left stack, remove the left end plate; for a right stack, remove the right end plate).
- Pick up both rails and fabric as one unit and slide the rollers of the moving rail bracket onto the rear track of the headrail.
- Slide the rail clips onto the front track in the headrail.

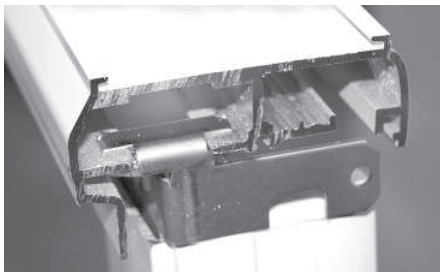


■ Install the stationary rail.

- The stationary rail bracket has two slots at the top. The back tracks of the headrail fit into these slots.
- Insert the stationary rail bracket into the back track of the headrail as shown. Twist the rail 90° to lock it in place.
- Make sure the stationary rail bracket aligns with the end of the headrail.



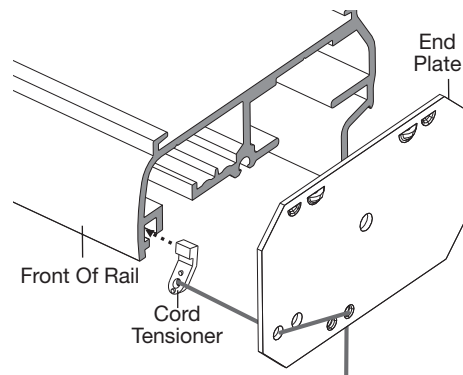
**NOTE:** It may be necessary to use a screwdriver and mallet to move the stationary rail bracket to the end of the headrail.



■ Install the cord tensioner.

- Unwind the cord from the end plate.
- Slide the cord tensioner into the channel at the front of the headrail.

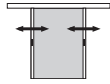
**NOTE:** You will adjust the cord tensioner later.



- Attach the stationary rail side end plate with a screw.



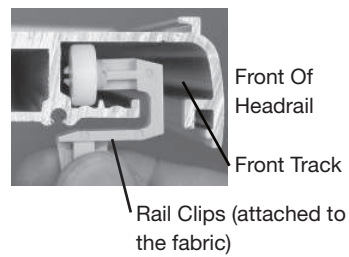
### Center Stack



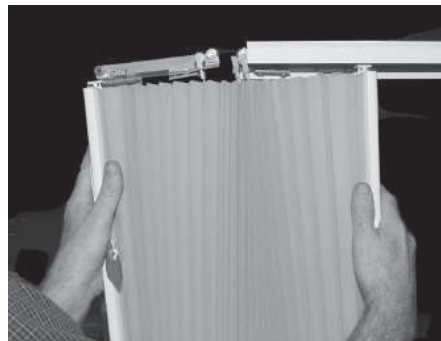
- Pick up all the rails and fabric and slide the rollers of the right moving rail onto the rear track of the headrail.



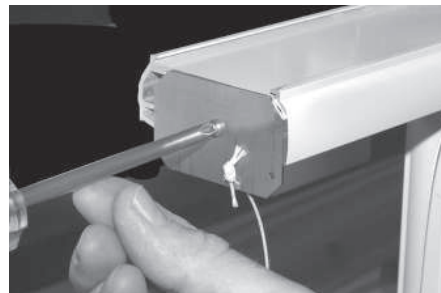
- Slide the rail clips into the front track in the headrail.



- Slide the left moving rail bracket into the back track of the headrail.



- Install the left end plate.

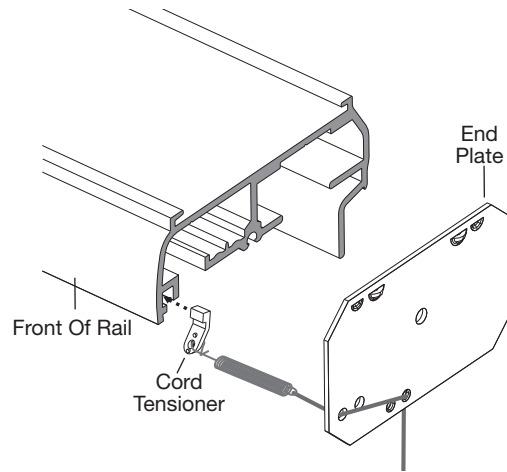


- Install the cord tensioner.
  - Unwind the cord and spring from the right end plate.
  - Slide the cord tensioner into the channel at the front of the headrail.
  - Attach the right end plate.

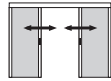
---

**NOTE:** You will adjust the cord tensioner later.

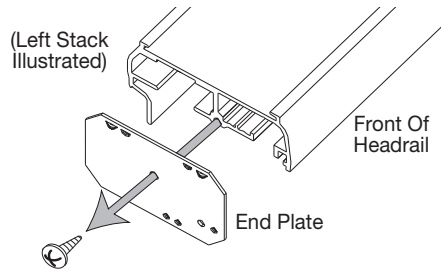
---



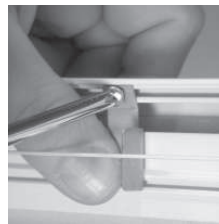
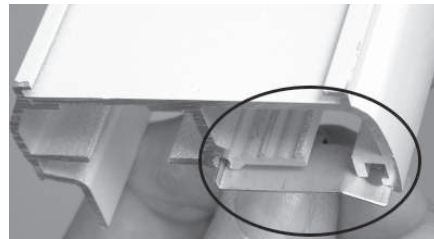
### Split Stack



- Remove the left end plate from the headrail.



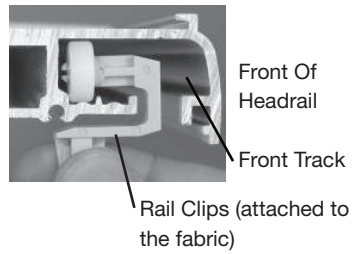
- Insert the center pull plate into the center channel and tighten the screw at the center point of the headrail. (The illustration at right references the placement of the center pull plate in the center groove. It still needs to be centered in the headrail before tightening the screw.)



- Pick up the left set of rails and fabric and slide the rollers of the moving rail bracket onto the rear track of the headrail.

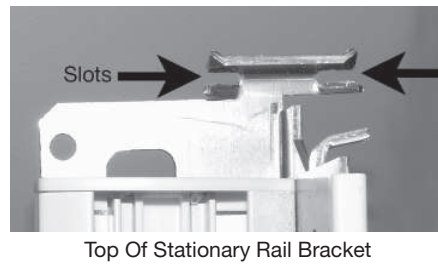


- Slide the rail clips onto the front track of the headrail.

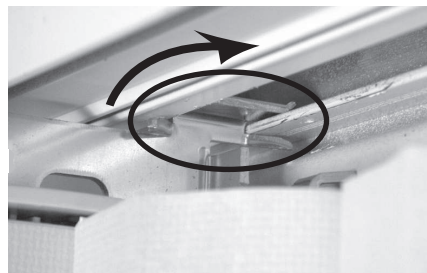


- Install the stationary rail.

- The stationary rail bracket has two slots at the top. The back tracks of the headrail fit into these slots.



- Insert the bracket into the back track of the headrail as shown. Twist the rail 90° to lock it in place.

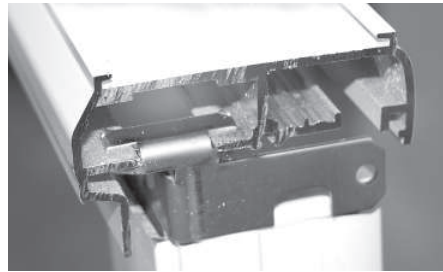


- Make sure the bracket aligns with the end of the headrail.

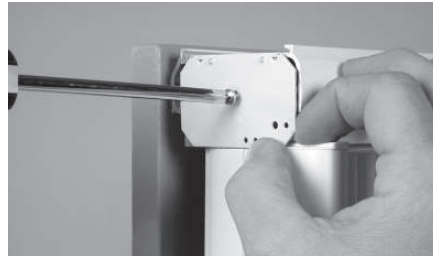
---

**NOTE:** It may be necessary to use a screwdriver and mallet to move the bracket to the end of the headrail.

---



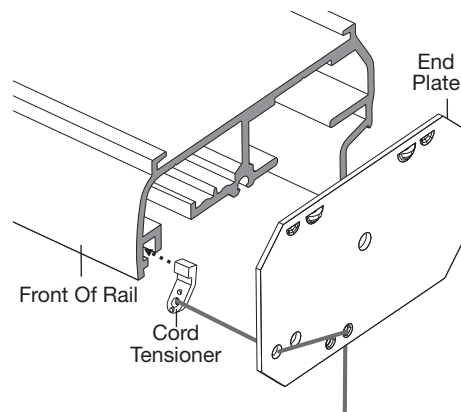
- Install the left end plate.



- Install the right fabric panel and stationary rail in a similar fashion as described at the top of the previous page.

- Install the cord tensioner.

- Unwind the cord from the end plate.
- Slide the cord tensioner into the channel at the front of the headrail.



- Attach the right end plate with a screw.

---

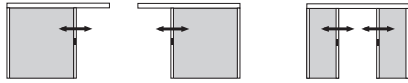
**NOTE:** You will adjust the cord tensioner later.

---

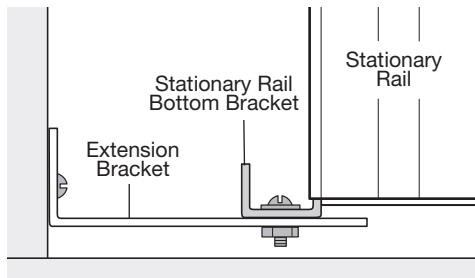
## OUTSIDE MOUNT — STATIONARY RAIL BOTTOM BRACKET ATTACHMENT

### Secure The Stationary Rails

#### Side Stack (Left And Right) And Split Stack



- Use a level to ensure that the stationary rail is vertical when viewed from both the front and the side.
- Secure the screw through the bracket and into the mounting surface.
- Split Stack: Secure both stationary rail bottom brackets.
- You may use an extension bracket to mount the stationary rail away from the wall. An extension bracket may be necessary if you used spacer blocks with the mounting brackets.



(Side View)



**Go to page 39 for Final Adjustments.**

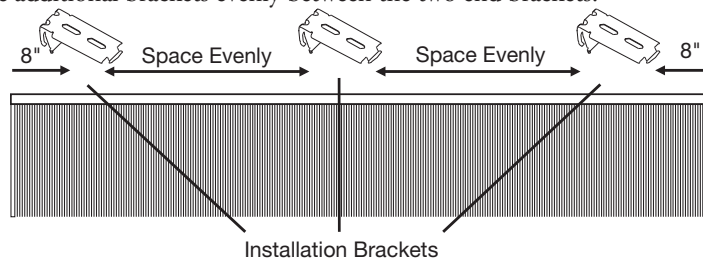
# **INSIDE AND CEILING MOUNT INSTALLATION**

## INSIDE MOUNT — BRACKET INSTALLATION

### Mount The Brackets

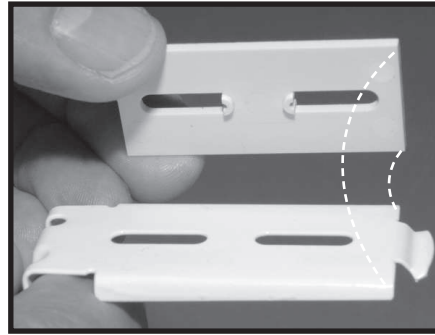
#### Bracket Spacing

- Measure and mark where to attach the installation brackets. Place installation brackets 8" in from the ends of the shade.
- Space additional brackets evenly between the two end brackets.



#### Attach Bracket Shim

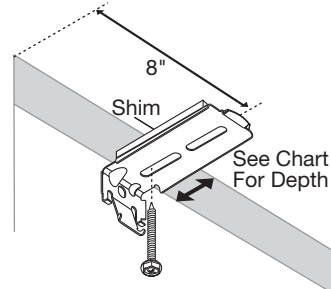
- Snap the shim onto the top of the mounting bracket.



#### Inside Mount/Ceiling Mount

- Position the installation brackets and shims so the tops of the brackets attach to a flat horizontal surface.
- Measure and mark all bracket locations. Use the table below for your measurements.
- Attach the installation bracket with a screw.
- Use a level to ensure that the brackets are level and aligned.

**NOTE:** When mounting to drywall, you must use a wall anchor.

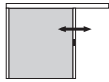


Fabric Pleat Size	Valance Type	Minimum Depth For Inside Mount	Minimum Depth For Fully Recessed Mount
3/4"	Aluminum	3/4"	3 <sup>5</sup> / <sub>8</sub> "
3/4"	Alternative Wood	3/4"	4 <sup>1</sup> / <sub>8</sub> "

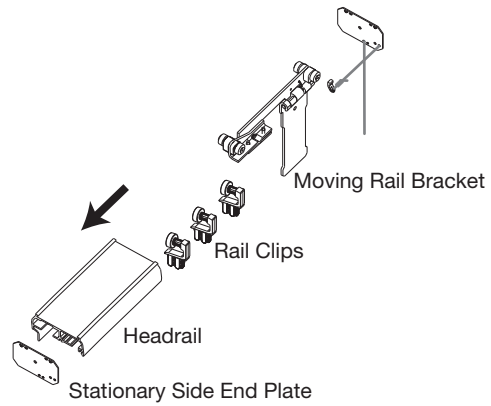
## INSIDE MOUNT — HEADRAIL PREPARATION

### Install The Components Into The Headrail

#### Side Stack - Left Stack

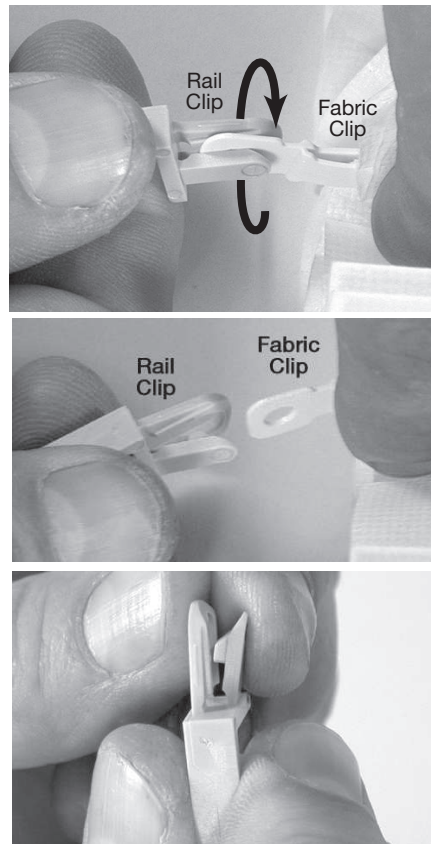


See the illustration at right for the order of components as they are installed in the headrail.

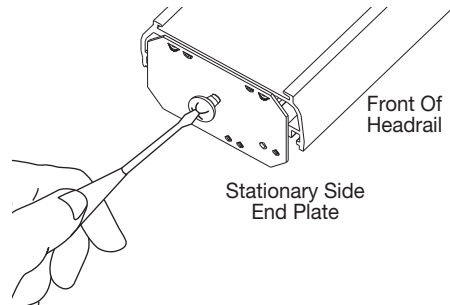


- Detach the rail clips from the fabric clips. To detach, twist the rail clip while holding the base of the fabric clip in place.

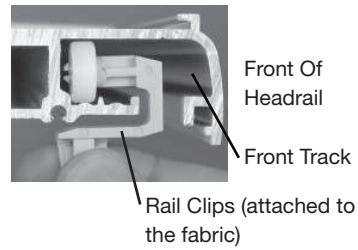
**NOTE:** Should the rail clip become slightly open, gently squeeze the prongs back together.



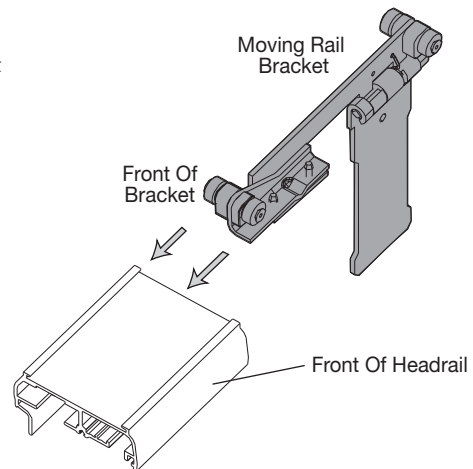
- Tighten the stationary side end plate, which is loosely attached to the left (stationary) side of the headrail.



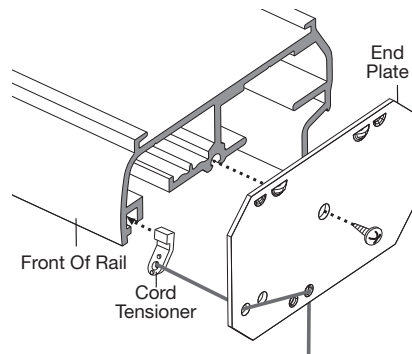
- Slide the rail clips onto the front track of the headrail.



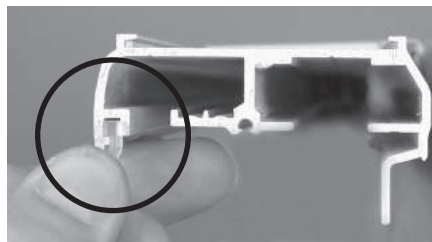
- From the right side of the headrail, slide the moving rail bracket into the rear track of the headrail with the front of the bracket going in first.



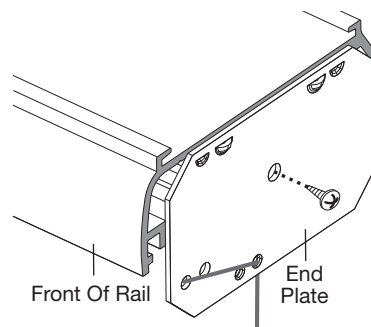
- Unwind the cord wrapped around the other end plate. The cord tensioner is attached to the end of the cord.



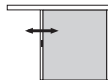
- Slide the cord tensioner down the cord tensioner slot on the right end of the headrail.



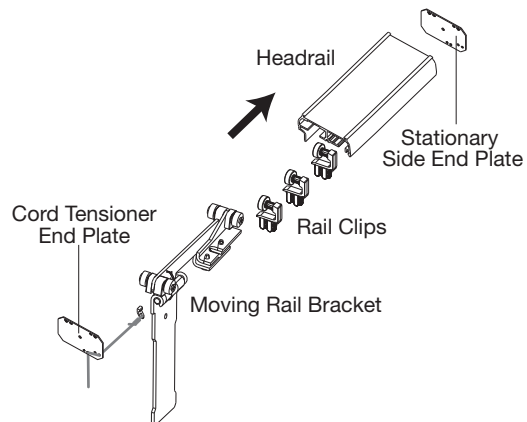
- Use a screw to fasten the end plate onto the headrail.



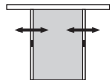
### Side Stack - Right Stack



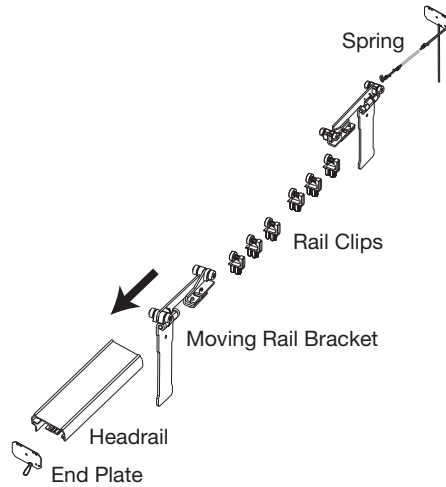
- Follow the steps starting on page 21, except install the components from the left side of the headrail.
- See the illustration at right for the order of components as they are installed in the headrail.



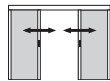
### Center Stack



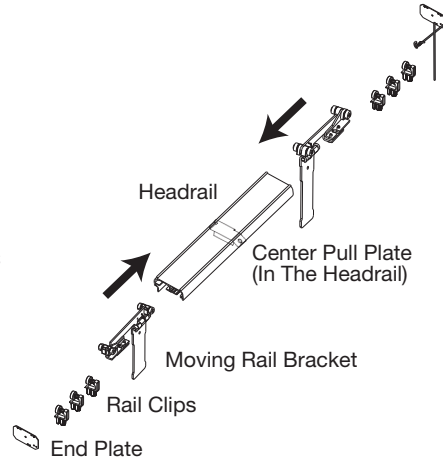
- See the illustration at right for the order of components for a center stack as they are installed in the headrail.
- With the above in mind, follow the *Install the Components Into The Headrail* steps starting on page 21.



### Split Stack



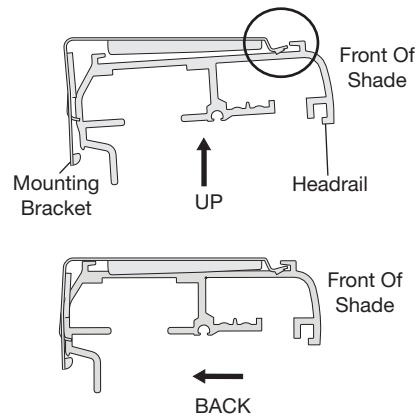
- See the illustration at right for the order of components for a split stack as they are installed in the headrail.
- With the above in mind, follow the *Install the Components Into The Headrail* steps starting on page 21.



## INSIDE MOUNT — HEADRAIL INSTALLATION

### Install The Headrail

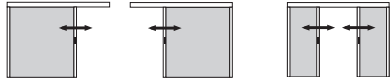
- Slip the headrail onto the installation brackets so the front of the bracket slides under the front groove on the top of the rail.
- Gently roll the back of the headrail up and push back to snap into place.



## INSIDE MOUNT – VERTICAL RAIL INSTALLATION

### Prepare The Vertical Rails

#### Side Stack (Left And Right) And Split Stack



#### Install The Stationary Rail Bottom Bracket(s)

---

**NOTE:** Do not insert the bracket completely. Leave at least  $\frac{1}{4}$ " of the bracket showing below the stationary rail.

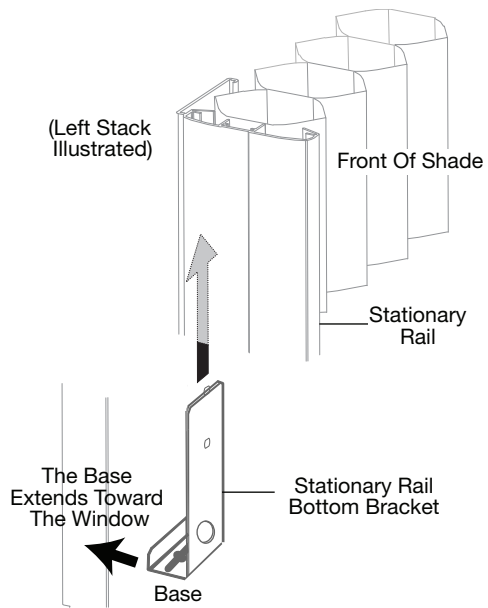
---

Insert the stationary rail bottom bracket into the bottom of the stationary rail. (For split stack, insert a bottom bracket into each stationary rail.) The base of the bottom bracket should extend toward the window.

---

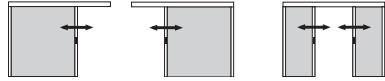
**NOTE:** Do not attach the bracket to the mounting surface at this time.

---



## Install The Vertical Rails

### Side Stack (Left And Right) And Split Stack



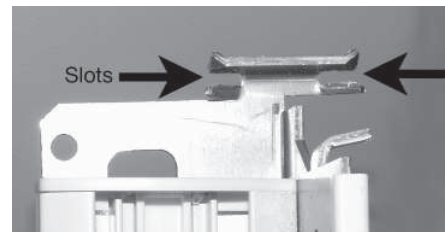
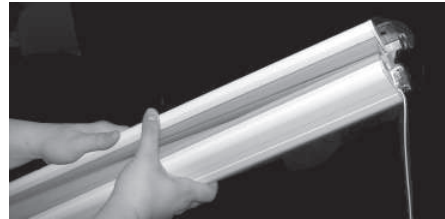
### Install The Stationary Rail(s)

- **Side Stack:** Pick up all the rails and fabric as one unit.
- **Split Stack:** Pick up all the left panel rails and fabric as one unit, repeat with the right panel of rails and fabric.
- Install the stationary rail.
  - The stationary rail bracket has two slots at the top. The back tracks of the headrail fit into these slots.
  - Insert the bracket into the back track of the headrail. Twist the rail 90° to lock it in place.

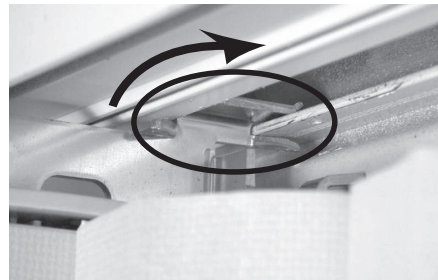
---

**TIP:** Install the stationary rail as close to the end of the headrail as possible.

---

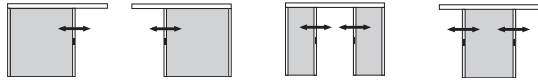


Top Of Stationary Rail Bracket



## Install The Moving Rail Bracket(s)

### Side Stack (Left And Right), Split Stack, And Center Stack



- Slide the moving rail bracket (located in the headrail) into the moving rail.
- Remove the snap pin, located in the moving rail or loose in the parts bag.
- Slide the moving rail bracket into the moving rail.

---

**NOTE:** The moving rail bracket is hinged to allow easier access for attaching it to the moving rail.

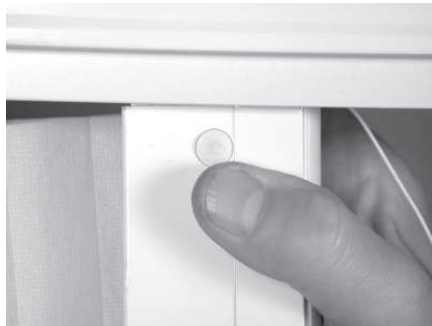
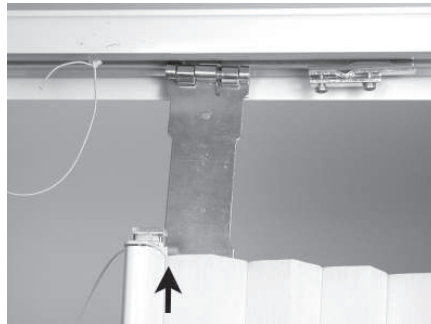
---

- Replace the snap pin through both the moving rail and the moving rail bracket.

---

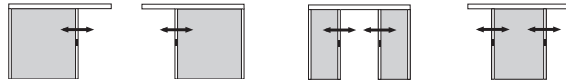
**NOTE:** For center stack and split stack shades, repeat this step for the right moving rail.

---



## Attach The Fabric Clips To The Rail Clips In The Headrail

### Side Stack (Left And Right), Split Stack, And Center Stack

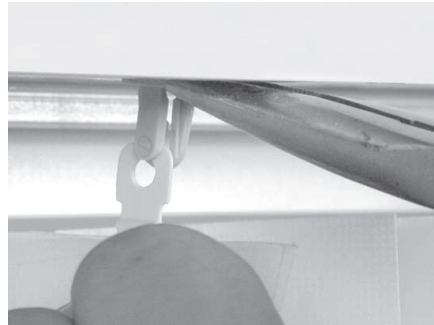


- Insert the top of each fabric clip into the corresponding rail clip (located in the headrail).

---

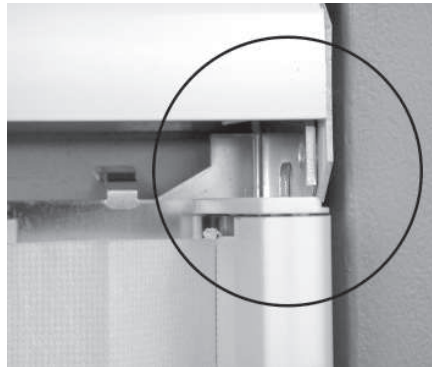
**NOTE:** For split stack shades, repeat this step for the right fabric panel.

---



### Verify The Stationary Rail Is Flush Against the End Plate

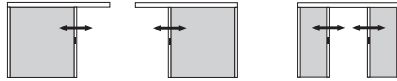
- The stationary rail must be flush against the stationary rail end plate.
- If necessary, place the tip of a screwdriver against the top of the bracket and tap it gently with a plastic or rubber mallet.



## INSIDE MOUNT — STATIONARY RAIL BOTTOM BRACKET ATTACHMENT

### Secure The Stationary Rail(s)

#### Side Stack (Left And Right) And Split Stack



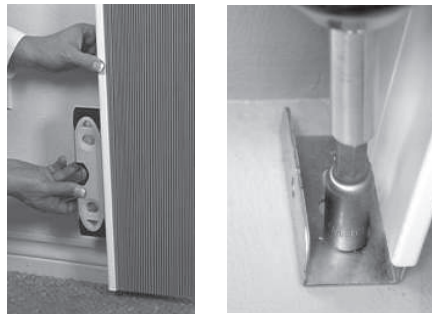
- Use a level to ensure the stationary rail is exactly vertical when viewed from both the front and the side.
- Secure the screw through the bracket and into the bottom of the mounting surface. See the next step if you ordered your shade with a cut-out or you prefer to secure the rail to the side.
- Use the inside mount adaptor to secure the stationary rail to the side of the casement.

---

**NOTE:** If you ordered your shade with a cut-out, for baseboards or other obstructions, you must use the inside mount adaptor.

---

- Align the screw hole of the adaptor to face the window casement (or wall). Slide the inside mount adaptor onto the stationary rail bottom bracket.
- Secure the inside mount adaptor with a screw to the casement.



**ALTERNATIVE  
INSTALLATION  
(ON THE FLOOR)**

**INSIDE AND OUTSIDE MOUNT**

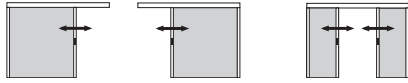
## FLOOR ASSEMBLY — BRACKET INSTALLATION

- For Outside Mounts: Follow the instructions on pages 8-9 for installing the installation brackets.
- For Inside Mounts: Follow the instructions on page 20 for installing the installation brackets.
- Larger installations will require two people.

### Prepare the Rails

Gather and layout all the components for installation on a clean, cloth covered surface.

### Side Stack (Left And Right) And Split Stack



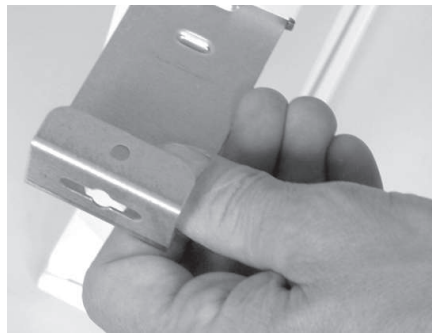
### Install The Stationary Rail Bottom Bracket

---

**NOTE:** Do not insert the bracket completely. Leave at least  $\frac{1}{4}$ " of the bracket showing below the stationary rail.

---

- Insert the stationary rail bottom bracket into the bottom of the stationary rail. (For split stack, insert a bottom bracket into each stationary rail.) The base of the bottom bracket should extend toward the window.



---

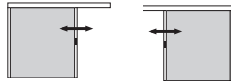
**NOTE:** Do not attach the bracket to the mounting surface at this time.

---



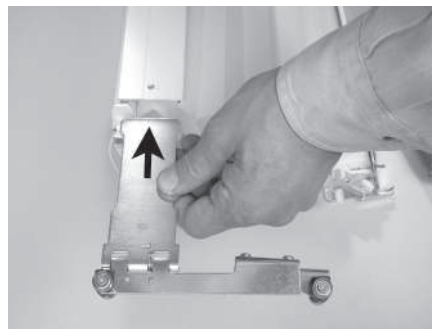
## Install The Moving Rail Bracket

### Side Stack (Left And Right)

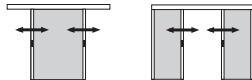


Insert the moving rail bracket into the moving rail.

- If attached, remove the snap pin located in the moving rail.
- Slide the moving rail bracket into the moving rail.
- Replace the snap pin through both the moving rail and the moving rail bracket.

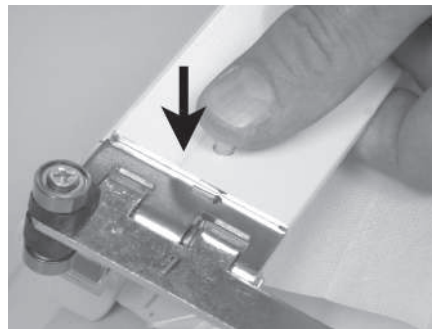


### Center Stack, Split Stack



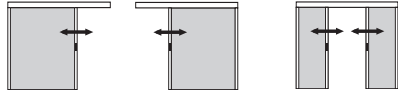
Insert both moving rail brackets into the moving rails.

- Remove both snap pins located in each moving rail.
- Slide the moving rail bracket into the moving rail.
- Replace the snap pins through both the moving rail and the moving rail bracket.

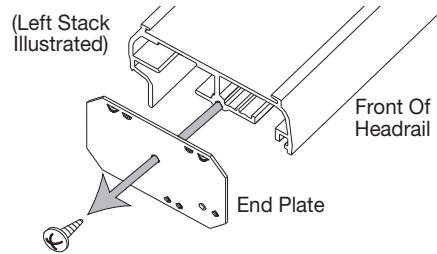


## FLOOR ASSEMBLY — VERTICAL RAILS INSTALLATION

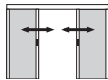
### Side Stack (Left And Right) And Split Stack



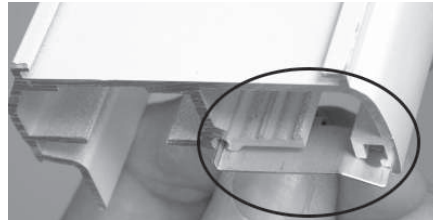
- Remove the end plate from the stationary side of the headrail, if attached. For a Left Stack, remove the left end plate; for a Right Stack, remove the right end plate.



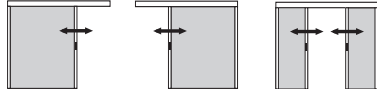
### Split Stack



- Insert the center pull plate in the center channel and screw in at the center point of the headrail. (The illustration at right references the placement of the center pull plate in the center groove. It still needs to be centered in the headrail before securing with a screw.)



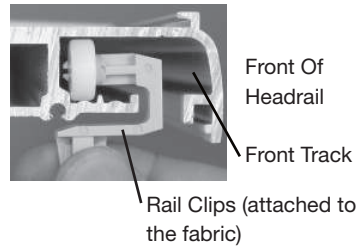
**Side Stack (Left And Right)  
And Split Stack**



- Gather all the rails and fabric and slide the rollers of the moving rail bracket onto the rear track of the headrail.

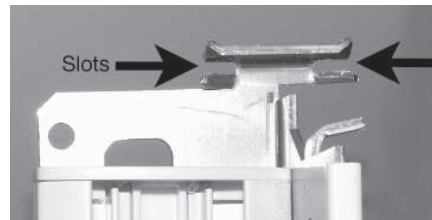


- Slide the rail clips onto the front track of the headrail.

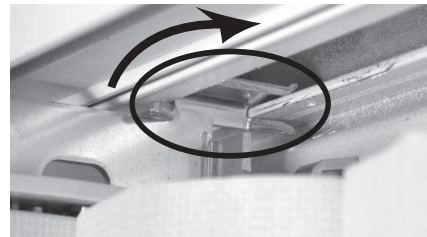


- Install the stationary rail.

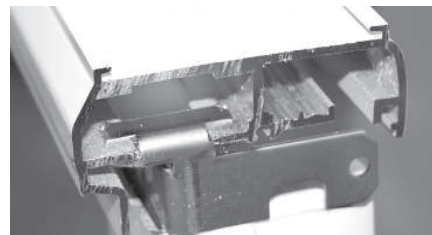
- The stationary rail bracket has two slots at the top. The back tracks of the headrail fit into these slots.



- Insert the bracket into the back track of the headrail as shown. Twist the rail 90° to lock it into place.



- Make sure the bracket aligns with the end of the headrail.

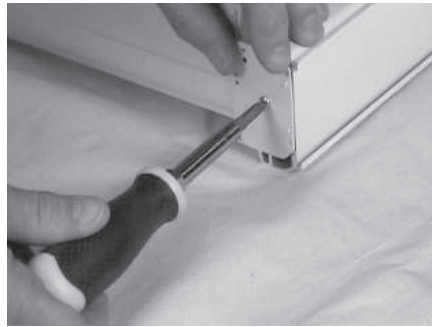



---

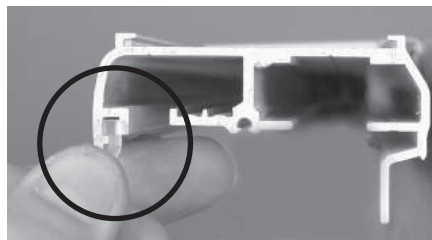
**NOTE:** It may be necessary to use a screwdriver and mallet to move the bracket to the end of the headrail.

---

- Use a screw to attach the stationary rail side end plate.



- Install the cord tensioner.
  - Unwind the cord and spring from the right end plate.
  - Slide the cord tensioner into the channel at the front of the headrail.
  - Attach the right end plate.

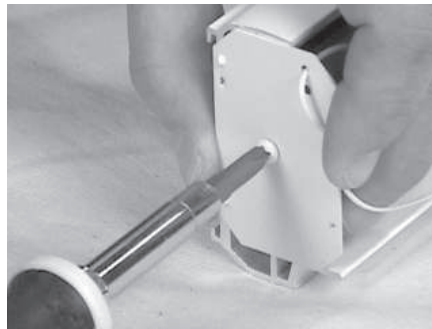


---

**NOTE:** You will adjust the cord tensioner later.

---

- Use a screw to attach the other end plate.



## FLOOR ASSEMBLY — HEADRAIL INSTALLATION

### Outside Mount — Headrail Installation

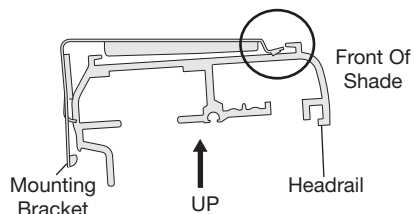
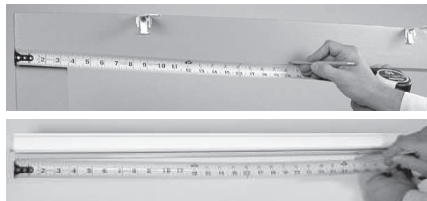


#### Side Stack (Left And Right), Split Stack, And Center Stack

##### Install The Headrail

**NOTE:** The headrail will not slide in the mounting brackets once installed.

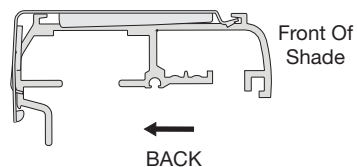
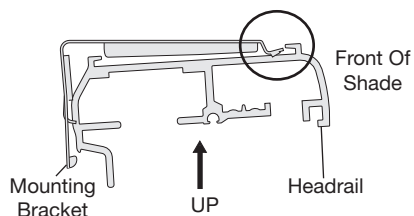
- Measure and mark the center point on the mounting surface.
- Measure and mark the headrail's center point.
- Gather up all the rails and fabric as one unit.
- Align the headrail mark to the matching mark on the mounting surface, then install.
- Slip the headrail onto the installation brackets so the front of the bracket slides under the front groove on the top of the rail.
- Gently roll the back of the headrail up and push back to snap into place.



### Inside Mount — Headrail Installation

##### Install The Headrail

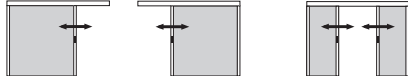
- Gather up all the rails and fabric as one unit.
- Slip the headrail onto the installation brackets so the front of the bracket slides under the front groove on the top of the rail.
- Gently roll the back of the headrail up and push back to snap into place.



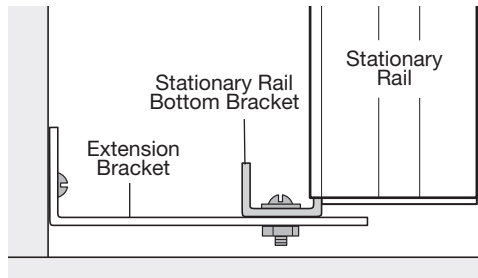
## FLOOR ASSEMBLY — STATIONARY RAIL BOTTOM BRACKET ATTACHMENT

### Outside Mount

#### Side Stack (Left And Right) And Split Stack



- Use a level to ensure that the stationary rail is exactly vertical when viewed from both the front and the side.
- Secure the screw through the bracket and into the mounting surface.
- You may use an extension bracket to mount the stationary rail away from the wall. An extension bracket may be necessary if you used spacer blocks with the mounting brackets.

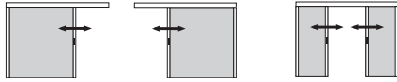


(Side View)



## Inside Mount

### Side Stack (Left And Right) And Split Stack



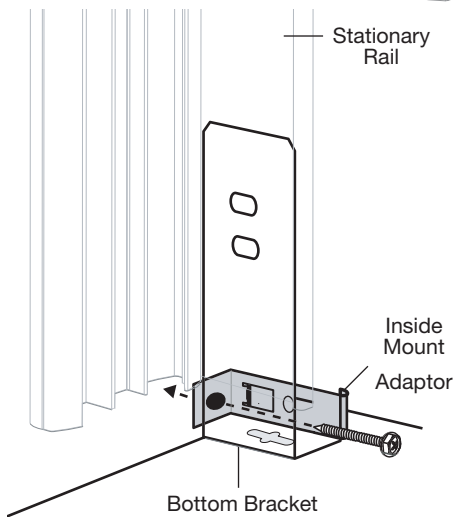
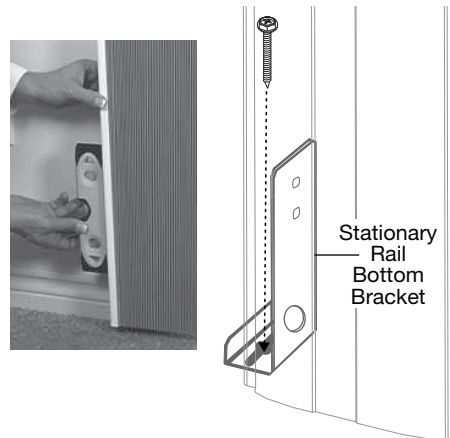
- Use a level to ensure the stationary rail is vertical when viewed from both the front and the side.
- Put a screw through the bracket and into the bottom of the mounting surface. See the next step if you ordered your shade with a cut-out or you prefer to secure the rail to the side.
- Use the inside mount adaptor to secure the stationary rail to the side of the casement.

---

**NOTE:** If you ordered your shade with a cut-out, for baseboards or other obstructions, you must use the inside mount adaptor.

---

- Align the screw hole of the adaptor to face the window casement (or wall). Slide the inside mount adaptor onto the stationary rail bottom bracket.
- Put a screw through the inside mount adaptor and into the casement.

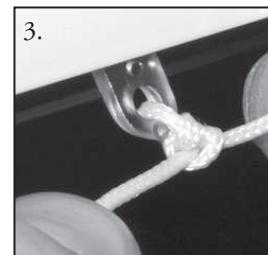
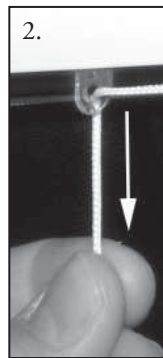
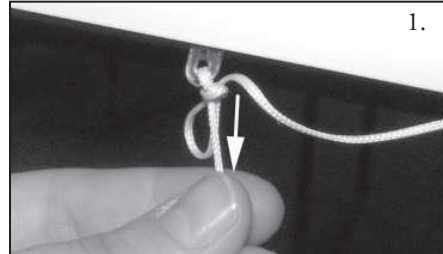


# **FINAL ADJUSTMENTS**

## SHADE ADJUSTMENT

### Remove Excess Cord

- Pull on the end of the cord at the cord tensioner to release the slip knot.
- Pull cord to create tension.
- Re-tie a knot at the cord tensioner.
- Trim the excess cord.



### Adjust The Cord Tension

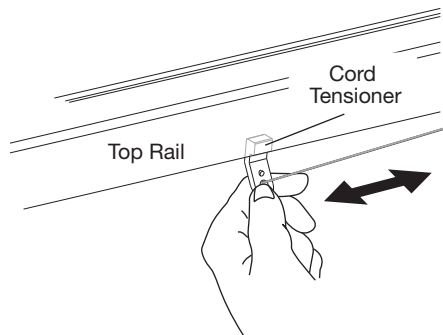
#### Test The Shade

Move the moving rail to check the shade tension. The moving rail should slide easily, yet there should be enough cord tension to hold the shade in place at any position.

- Decrease the cord tension if the moving rail does not move smoothly.
- Increase the cord tension if the rail does not hold its position.

#### Adjust The Cord Tension

- To tension: slide the cord tensioner away from the end plate until you feel resistance.
- Continue to slide the cord in 1" increments to make the moving rail hold its position. Repeat if necessary.



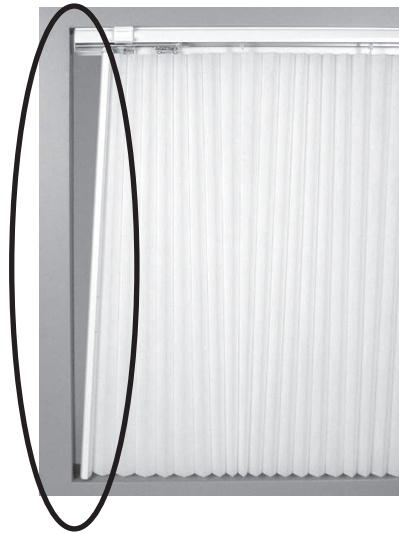
### Adjust The Vertical Alignment

Check to see if the vertical rail is aligned. If not, locate the adjusting lever by carefully pushing back the top of the fabric on the moving rail side of the shade.

---

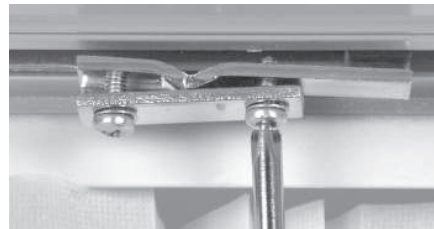
**TIP:** When adjusting the moving rail, it is much easier to adjust if the cord tension is minimal. To fine-tune the adjustments, do not loosen the tension. Loosen the tension to make large angle adjustments only.

---



### To Adjust The Bottom End Of The Moving Rail To The Right

- Loosen the left screw  $\frac{1}{2}$  turn, then tighten the right screw  $\frac{1}{2}$  turn. Repeat until the shade is properly aligned.
- After adjustment, tighten both screws completely.



### To Adjust The Bottom Of The Moving Rail To The Left

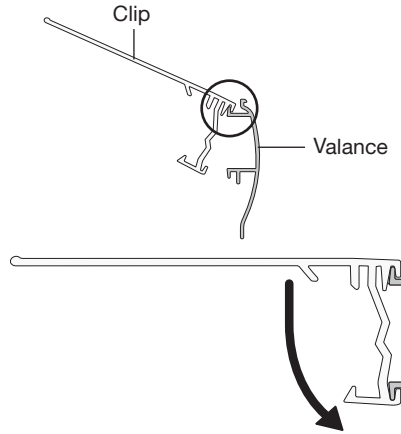
- Loosen the right screw  $\frac{1}{2}$  turn, then tighten the left screw  $\frac{1}{2}$  turn. Repeat until the shade is properly aligned.
- After adjustment, completely tighten both screws.

## VALANCE AND HANDLE(S) ATTACHMENT

### Aluminum Valance

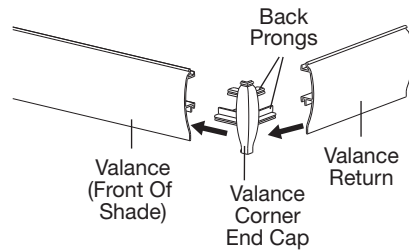
#### Attach The Valance Clips To The Valance

- Attach the valance clips to the valance as shown.
- For wider shades, lay the two pieces of the valance on a flat surface and butt together.
- Attach a valance clip at the seam to hold the two valances together.



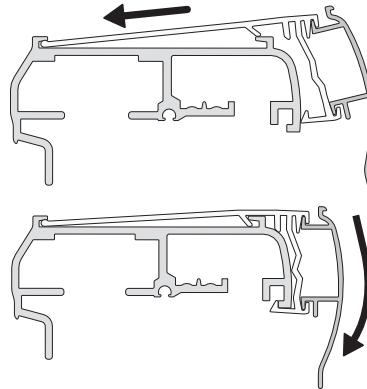
#### Assemble The Returns Onto The Valance

- *Outside mounts and non-flush inside mounts only:* Attach the valance return and the valance corner end cap to each end of the valance.



#### Attach The Valance To The Headrail

- Keep a minimum of 3" between the end of the headrail and the valance clips. Be sure to avoid areas where the headrail attaches to the mounting brackets.
- Slide the valance clip under the back lip of the headrail.
- Rotate the valance down to snap the clips into place on the headrail.



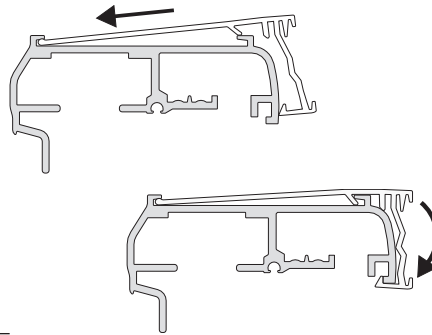
**TIP:** Tap the valance at each clip to assure each clip is attached to the headrail.



## Alternative Wood Valance

### Attach The Valance Clips To The Headrail

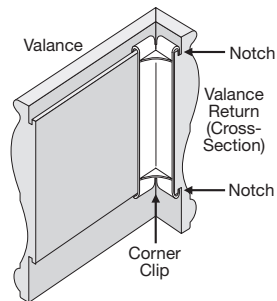
- Slide the valance clip under the back lip of the headrail.
- Rotate the valance down to snap the clips into place on the headrail.
- Keep a minimum of 3" between the end of the headrail and the valance clips.



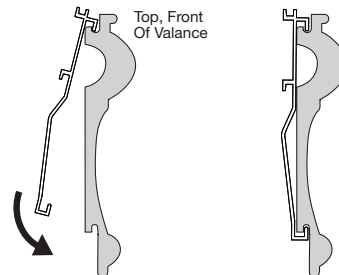
**NOTE:** Be sure to avoid areas where the headrail attaches to the mounting brackets.

### Attach The Valance Corner Brackets To The Valance

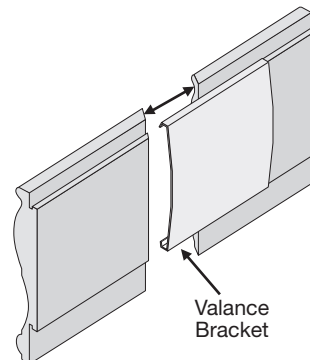
- *Outside mounts and non-flush inside mounts only:* First slide the valance corner brackets onto the valance front as shown. Next, snap the valance return onto the valance corner brackets.



- Align the valance bracket so the long tab of the bracket is down.
- Place the top tooth of the valance bracket into the top groove on the valance. Snap the bracket down into place.

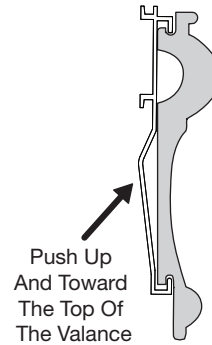


- Headrail widths over 168": Lay the two pieces of the valance on a flat surface and connect by placing a valance bracket at the seam.



### Remove Valance Brackets

- To remove the valance bracket, press the middle of the bracket up at an angle toward the top of the valance. Pull the top of the valance bracket to remove from the grooves.



### Attach The Handle(s)

If the handle is not already attached to the shade, do the following:

- Position the handle so the holes on the flat portion of the handle are aligned with the screw holes on the moving rail. The curve of the handle should face out, away from the fabric.
- Attach each handle to its moving rail using the provided screws. Holes are pre-drilled into each moving rail.



### Headrail Removal

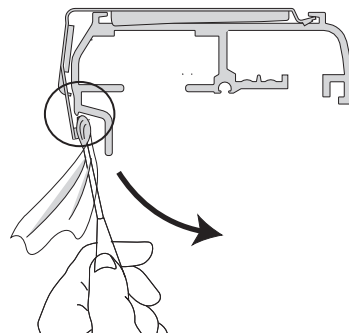
- Remove the valance by popping the valance off of the headrail.
- Hold the headrail assembly and push back on the bottom tab of the mounting bracket to release the bottom edge of the headrail.
- Roll the back of the headrail downward and out from the bracket.

---

**CAUTION:** Because the bracket is stiff, the headrail may be difficult to remove. Use a flat blade screwdriver wrapped in a soft cloth. Push the blade against the bottom tab of the mounting bracket and twist slightly to pop the rail off the bracket. *Be careful not to scratch the finish on the back of the headrail.*

---

- Lift the shade assembly clear of the stationary rail bottom bracket.



## CARE AND CLEANING

Hunter Douglas honeycomb shades are made of an anti-static, dust-resistant fabric which repels dirt and dust. For most honeycomb fabrics, the following options are available if your shade needs cleaning.

### Dusting

Regular light dusting with a feather duster is all the cleaning that is needed in most circumstances.

### Vacuuming

Use a hand-held vacuum with low suction for more thorough dust removal.

---

**CAUTION:** Do not vacuum Architella™ Elan™ or Architella Elan Eclipse™ fabrics.

---

### Spot-Cleaning

- Prepare a solution of warm water and a mild detergent.
- Dampen a clean cloth in the solution and wring it out.
- Dab the spot with the dampened cloth until it is gone. **Do not rub the fabric.**
- Allow the shade to dry in the completely lowered position.

---

**CAUTION:** Do not spot-clean Batiste, Opalescence™, Puressence™, or Royale fabrics.

---

### Deep Cleaning

- Immerse the shade in a basin or bathtub filled with a mild detergent. Never immerse the headrail in the solution.
- Rinse with clean water and fully raise the shade and tilt to eliminate excess water.
- Reinstall the damp shade, lower it, and let it dry completely.

---

**CAUTION:** Do not immerse Architella™ Elan Eclipse™, Architella Panache Eclipse™, Commercial, Opalescence™, Puressence™, Royale, or any blackout or opaque fabrics.

---

### Ultrasonic Cleaning

Some honeycomb fabrics can be ultrasonically cleaned by a professional.

- Specify that a mild detergent solution be used.
- Never immerse the headrail in the solution.
- Dry the shade completely in the lowered position.

---

**CAUTION:** Do not ultrasonically clean Architella Elan Eclipse, Architella Panache Eclipse, Casuelle™, Commercial, Opalescence, Puressence, or any blackout or opaque fabrics.

---

### Injection/Extraction

Honeycomb shades can be professionally cleaned using the injection/extraction method.

- A dry method of injection/extraction is required for Architella Elan™, Architella Elan Eclipse, Architella Panache™, Architella Panache Eclipse, Casuelle, Commercial, Opalescence, Panache™, and any blackout or opaque fabrics.
- If using injection/extraction for Batiste fabrics, specify that no chemicals are used (water only).
- Never immerse the headrail in the solution.

---

**CAUTION:** Do not use injection/extraction cleaning on Puressence fabrics.

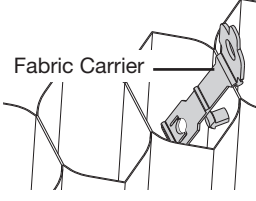
---

For more comprehensive cleaning instructions, call the Hunter Douglas Customer Information Center toll free at:

**1-888-501-8364**

## TROUBLESHOOTING

Problem	Symptom/Solution
The shade binds or moves with difficulty.	<ul style="list-style-type: none"><li>■ If the shade does not slide with ease, you may need to adjust the cord tension. Slide the cord tensioner away from the fabric stack slightly to decrease the tension.</li><li>■ Check that the cord is not pinched.</li></ul>
The shade does not stay in position.	<ul style="list-style-type: none"><li>■ If the shade does not stay in position, you may need to adjust the cord tension. Slide the cord tensioner toward the fabric stack slightly to increase the tension.</li></ul>
The shade is not vertically aligned.	<ul style="list-style-type: none"><li>■ Adjust the screws on the moving rail. To move the bottom of the rail to the right, loosen the left screw 1/2 turn and tighten the right screw 1/2 turn. To move the bottom of the moving rail to the left, reverse the process and loosen the right screw as you tighten the left.</li></ul>

Problem	Symptom/Solution
<p>The installation brackets do not allow enough clearance for the shade (to clear moldings or window cranks).</p>	<ul style="list-style-type: none"> <li>■ Use an extension bracket or spacer blocks for mounting each installation bracket to allow adequate clearance for your shade.</li> </ul>
<p>On inside or ceiling mount applications, there isn't enough room above the mounted installation brackets to angle and attach the headrail and/or the valance.</p>	<ul style="list-style-type: none"> <li>■ Use a shim added to each installation bracket to provide additional space to attach the headrail and/or valance.</li> </ul>
<p>A fabric carrier needs to be reattached.</p>	<ul style="list-style-type: none"> <li>■ Place each carrier between a pair of fabric cells.</li> <li>■ Align the hole in the fabric carrier with the hole in the fabric cells.</li> <li>■ Snap the carrier closed by pinching the two pieces of the carrier together from top to bottom.</li> </ul> 
<p>The cord tensioner does not lock into place.</p>	<ul style="list-style-type: none"> <li>■ Using a small 1/8" flat blade screwdriver, scrape the paint from the inside of the channel used for the cord tensioner.</li> <li>■ Place a valance bracket up against the cord tensioner to act as a stop preventing the tensioner from sliding.</li> </ul>
<p>The moving rail does not align with the stationary rail. The fabric seems to bow toward (or away) from the window.</p>	<ul style="list-style-type: none"> <li>■ Take the moving rail (with center stack and split stack, take both moving rails) and gently move it toward the window, then away from the window, then back into the correct position. The fabric should align to this correct position.</li> </ul>

**Questions? Call the Hunter Douglas  
Customer Information Center at**

**1-888-501-8364**

**Visit our Web site at [hunterdouglas.com](http://hunterdouglas.com)**



# **HunterDouglas**

LIGHT CAN CHANGE EVERYTHING®

[hunterdouglas.com](http://hunterdouglas.com)

© 2007 Hunter Douglas, Inc. ® Registered trademark of Hunter Douglas Inc.  
Patented in the U.S. and foreign countries. Other U.S. and foreign patents pending.



PCN 5109271000

Rev. 8/07